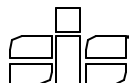
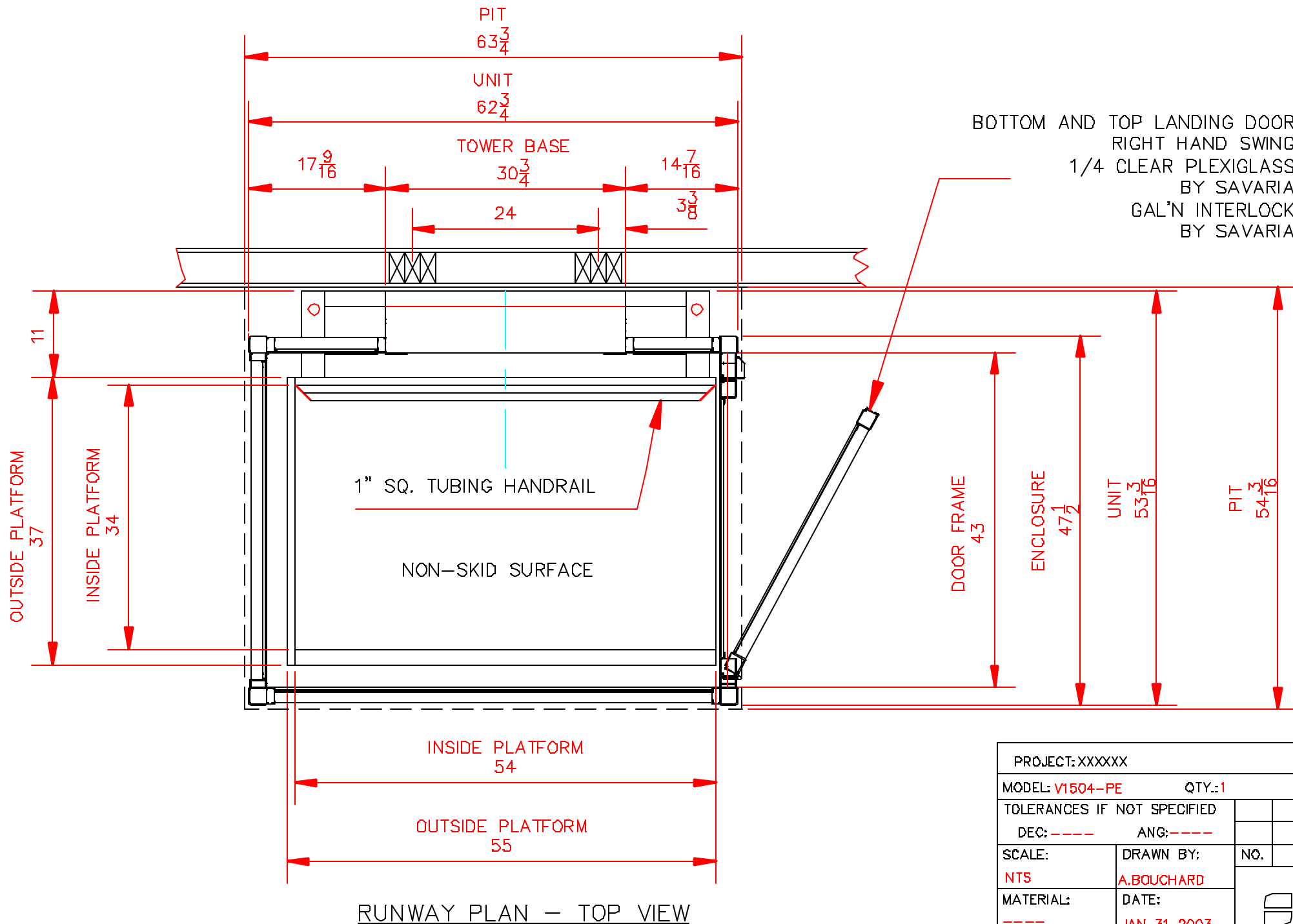


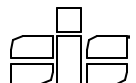
RUNWAY PLAN - TOP VIEW

PROJECT: XXXXXXX				
MODEL: V1504- PE		QTY: 1		
TOLERANCES IF NOT SPECIFIED				
DEC: ----		ANG: ----		
SCALE:	DRAWN BY:	NO.	REVISIONS	DATE
NTS	A. BOUCHARD			
MATERIAL:	DATE:	 <b>SERVICES INDUSTRIELS SAVARIA INC.</b>		
----	NOV 14 2002			
DRAWING #	REV#	PAGE:	TITLE:	
XXXX-2	0	2/2	LIFT FOR HANDICAPPED	

V-1504 PE - PLAN VIEW - RIGHT LOWER ENTRY - RIGHT UPPER EXIT

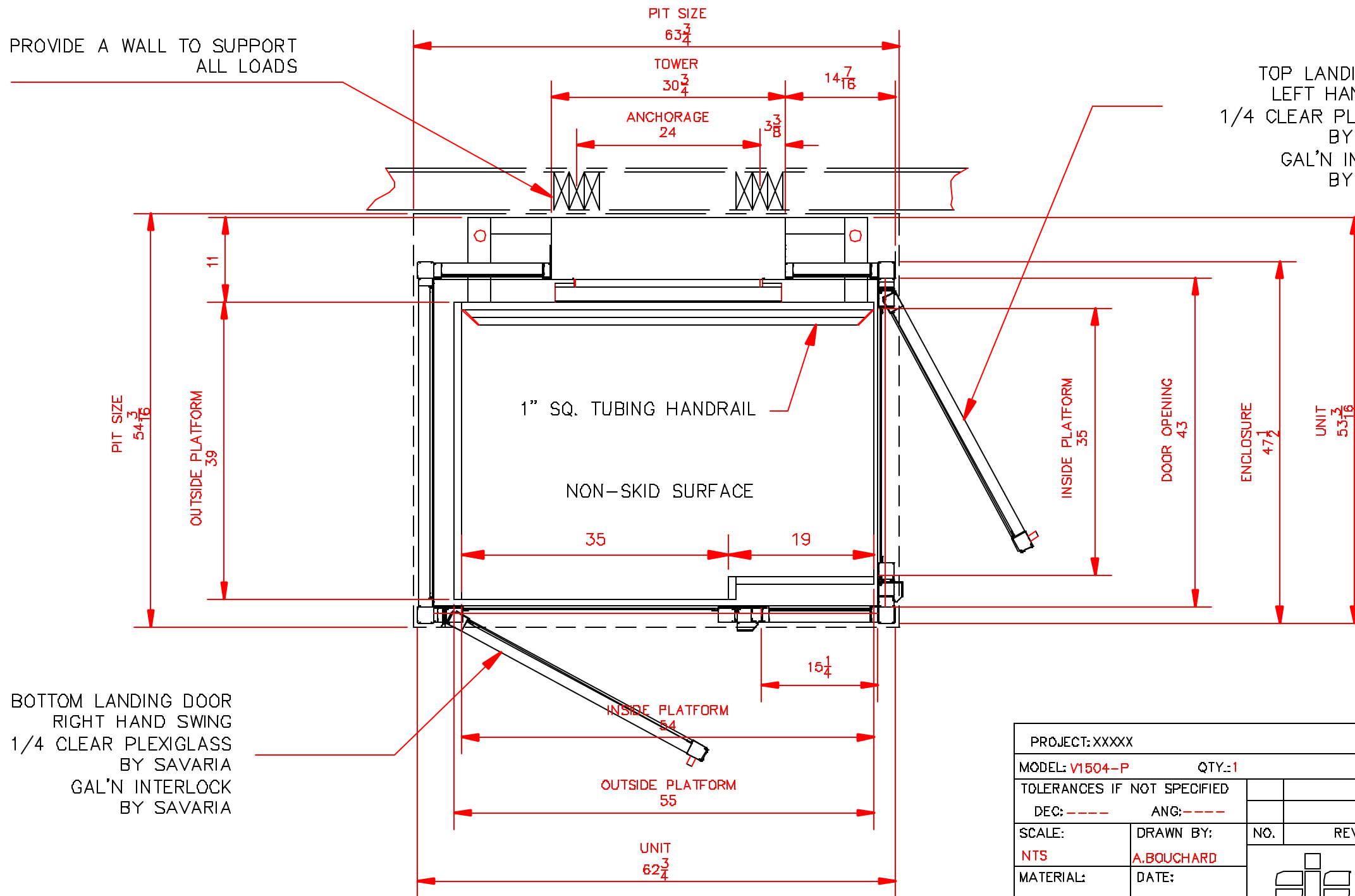


RUNWAY PLAN - TOP VIEW

PROJECT: XXXXXX		XXXXXXXX		
MODEL: V1504-PE		QTY: 1		
TOLERANCES IF NOT SPECIFIED				
DEC: ----		ANG: ----		
SCALE:	DRAWN BY:	NO.	REVISIONS	DATE
NTS	A. BOUCHARD			
MATERIAL:	DATE:	 <b>SERVICES INDUSTRIELS SAVARIA INC.</b>		
----	JAN 31 2003			
DRAWING #	REV#	PAGE:	TITLE:	
XXXXX-2	0	2/2	LIFT FOR HANDICAPPED	

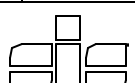
PROVIDE A WALL TO SUPPORT ALL LOADS

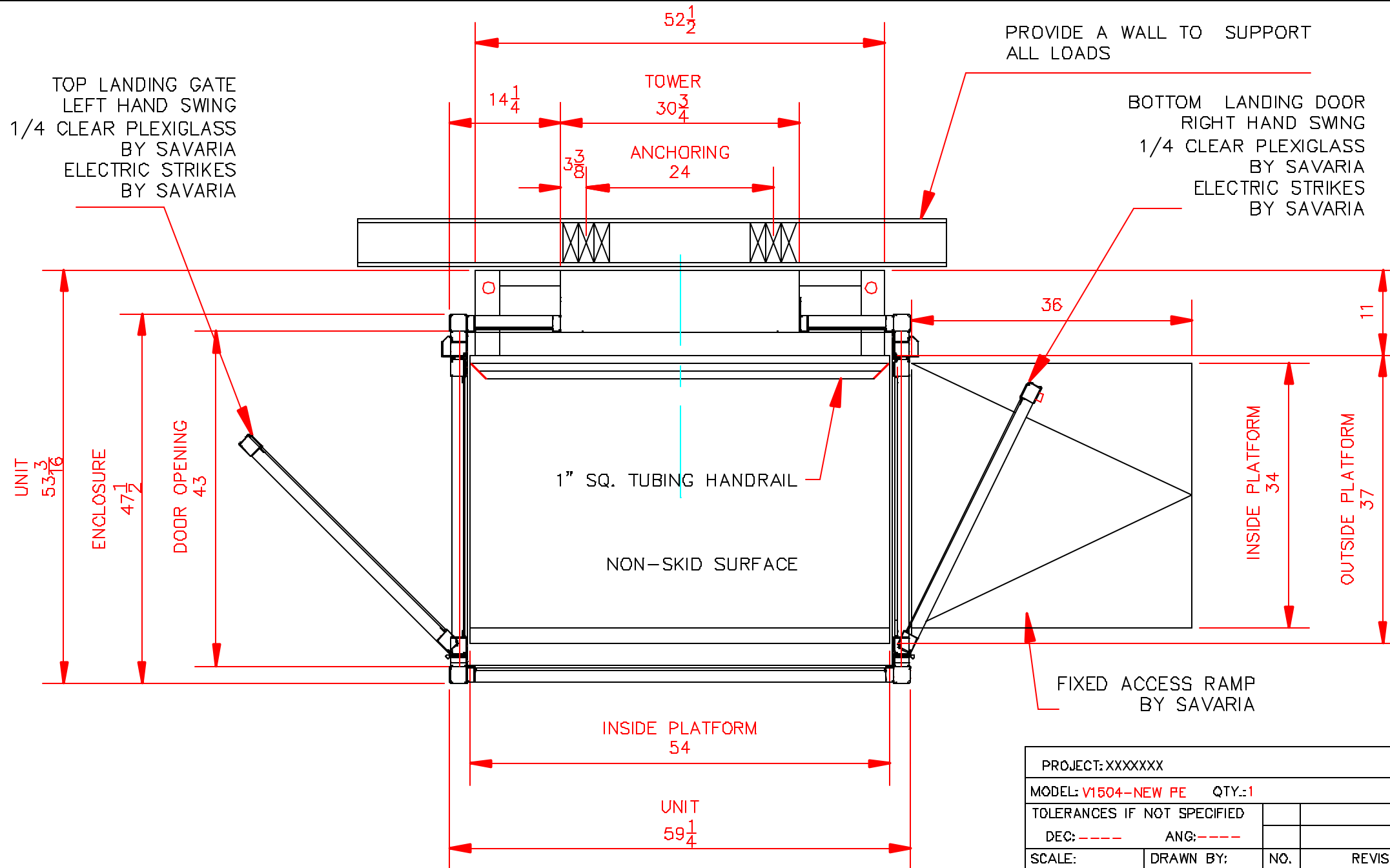
TOP LANDING DOOR  
LEFT HAND SWING  
1/4 CLEAR PLEXIGLASS  
BY SAVARIA  
GAL'N INTERLOCK  
BY SAVARIA



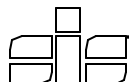
BOTTOM LANDING DOOR  
RIGHT HAND SWING  
1/4 CLEAR PLEXIGLASS  
BY SAVARIA  
GAL'N INTERLOCK  
BY SAVARIA

RUNWAY PLAN - TOP VIEW

PROJECT: XXXXX				
MODEL: V1504-P		QTY: 1		
TOLERANCES IF NOT SPECIFIED				
DEC: ----		ANG: ----		
SCALE:	DRAWN BY:	NO.	REVISIONS	DATE
NTS	A. BOUCHARD			
MATERIAL:	DATE:	 <b>SERVICES INDUSTRIELS SAVARIA INC.</b>		
----	FEB 16 2000			
DRAWING #	REV#	PAGE:	TITLE:	
XXXX-2	0	2/2	LIFT FOR HANDICAPPED	



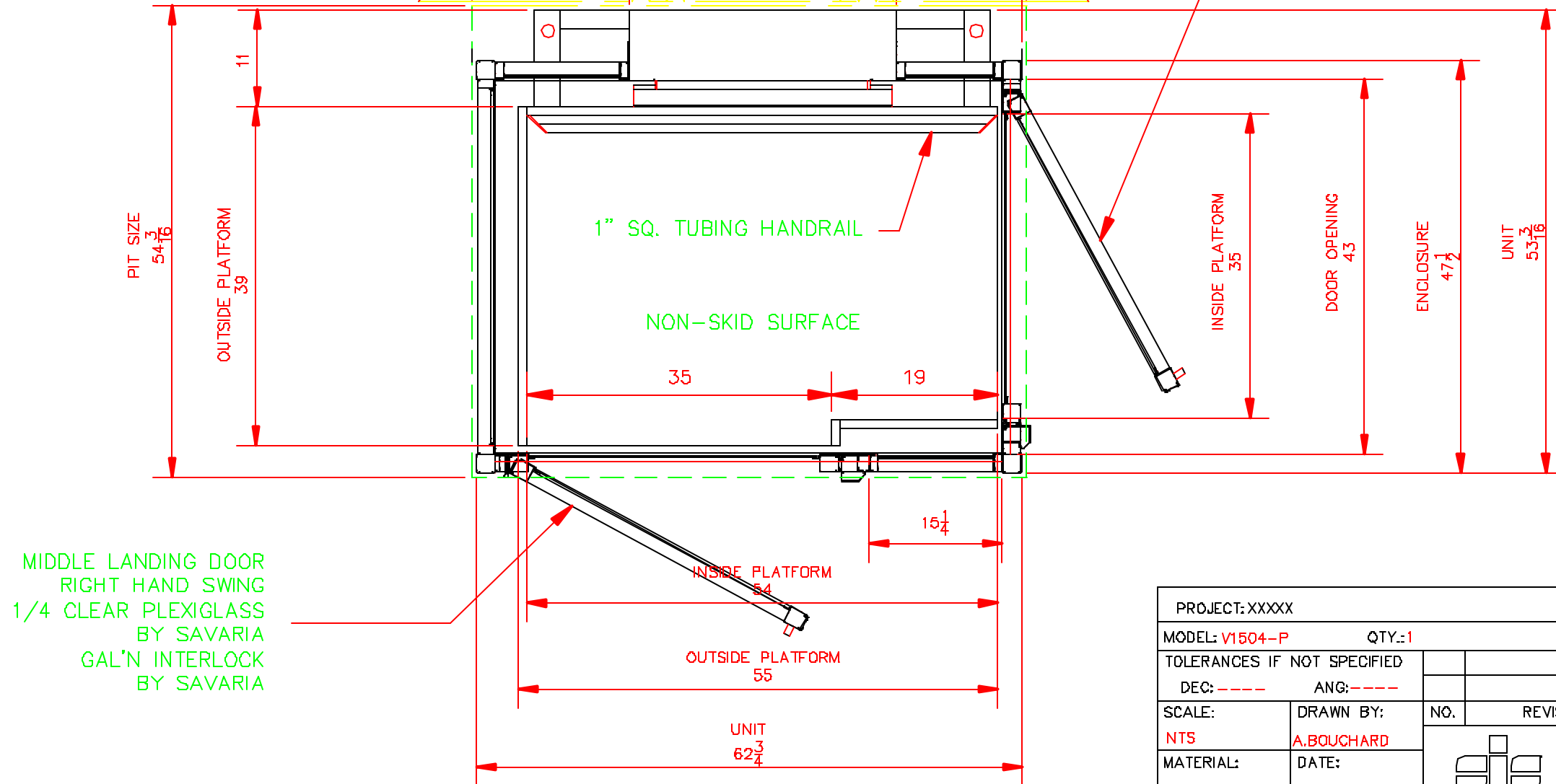
RUNWAY PLAN - TOP VIEW

PROJECT: XXXXXXX				
MODEL: V1504-NEW PE QTY: 1				
TOLERANCES IF NOT SPECIFIED				
DEC: ----		ANG: ----		
SCALE:	DRAWN BY:	NO.	REVISIONS	DATE
NTS	A. BOUCHARD			
MATERIAL:	DATE:	 <b>SERVICES INDUSTRIELS SAVARIA INC.</b>		
----	JAN 26 2001			
DRAWING #	REV#	PAGE:	TITLE:	
XXXX-2	0	2/2	LIFT FOR HANDICAPPED	

V-1504 PE - PLAN VIEW - RIGHT LOWER ENTRY - 90° MID-EXIT - RIGHT UPPER EXIT

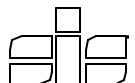
PROVIDE A WALL TO SUPPORT ALL LOADS

BOTTOM AND TOP LANDING DOOR LEFT HAND SWING  
1/4 CLEAR PLEXIGLASS BY SAVARIA  
GAL'N INTERLOCK BY SAVARIA

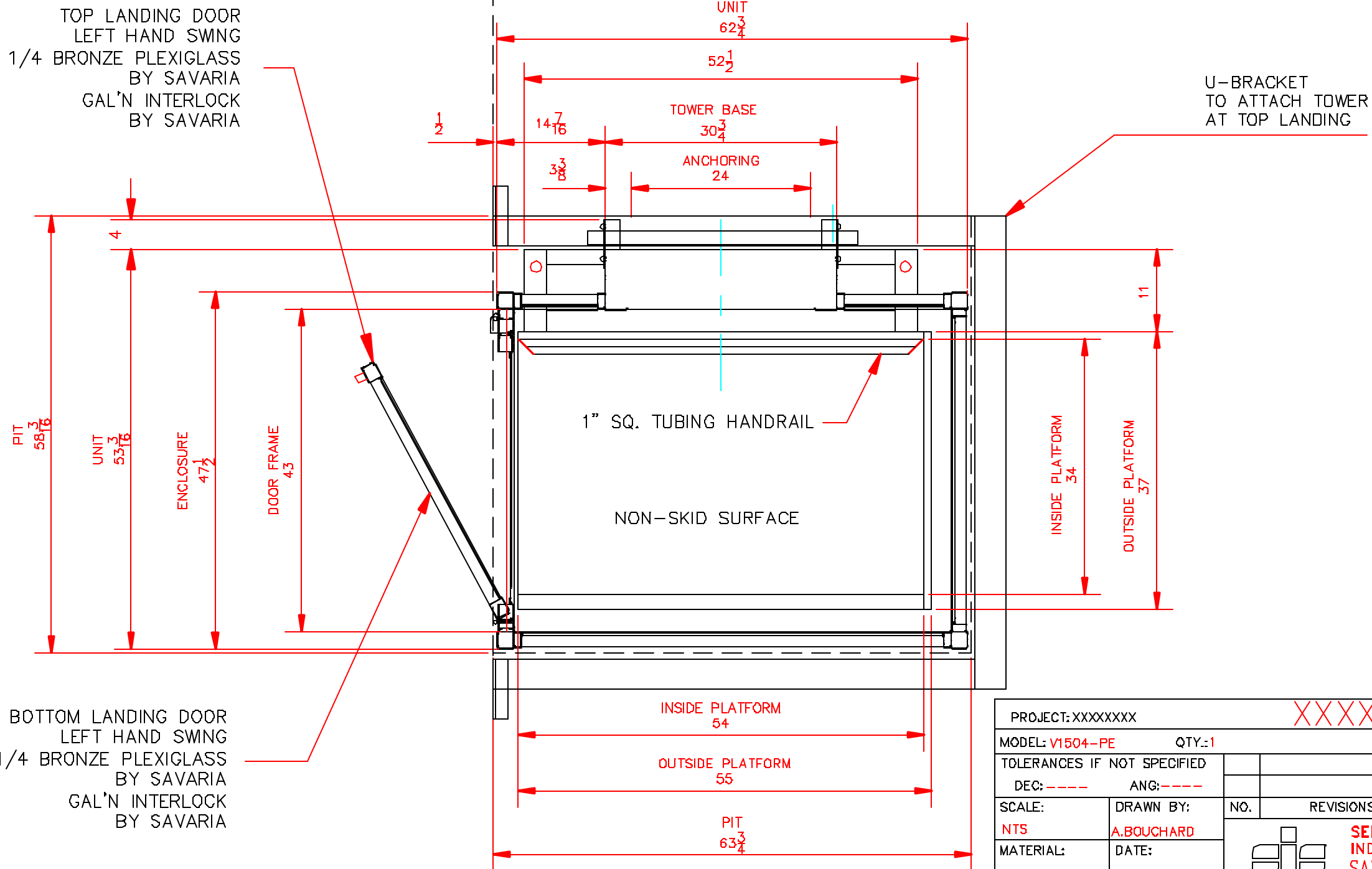


MIDDLE LANDING DOOR RIGHT HAND SWING  
1/4 CLEAR PLEXIGLASS BY SAVARIA  
GAL'N INTERLOCK BY SAVARIA


RUNWAY PLAN - TOP VIEW

PROJECT: XXXXX				
MODEL: V1504-P		QTY: 1		
TOLERANCES IF NOT SPECIFIED				
DEC: ----		ANG: ----		
SCALE:	DRAWN BY:	NO.	REVISIONS	DATE
NTS	A. BOUCHARD			
MATERIAL:	DATE:	 <b>SERVICES INDUSTRIELS SAVARIA INC.</b>		
----	FEB 16 2000			
DRAWING #	REV#	PAGE:	TITRE:	
XXXX-2	0	2/2	LIFT FOR HANDICAPPED	

V-1504 PE - PLAN VIEW - LEFT LOWER ENTRY - LEFT UPPER EXIT - WITH "U" BRACKET



RUNWAY PLAN - TOP VIEW

PROJECT: XXXXXXXX		XXXX		
MODEL: V1504-PE		QTY.: 1		
TOLERANCES IF NOT SPECIFIED				
DEC: ----		ANG: ----		
SCALE:	DRAWN BY:	NO.	REVISIONS	DATE
NTS	A. BOUCHARD			
MATERIAL:	DATE:	 <b>SERVICES INDUSTRIELS SAVARIA INC.</b>		
----	NOV15 2002			
DRAWING #	REV#	PAGE:	TITLE:	
XXXX-2	0	2/2	LIFT FOR HANDICAPPED	